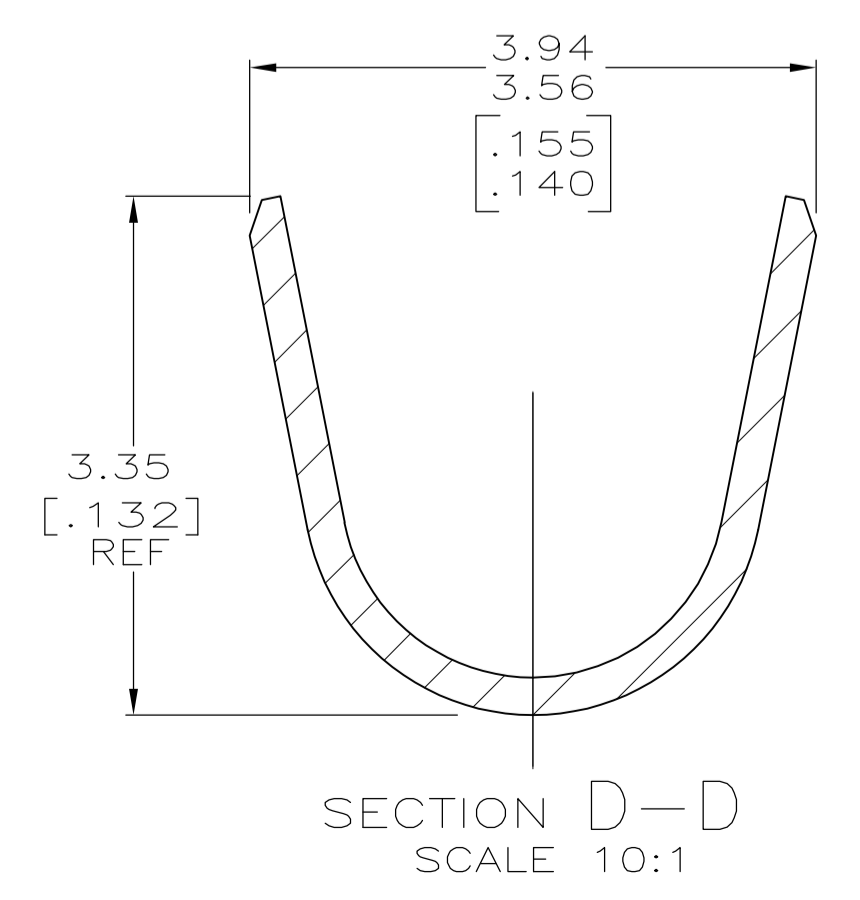
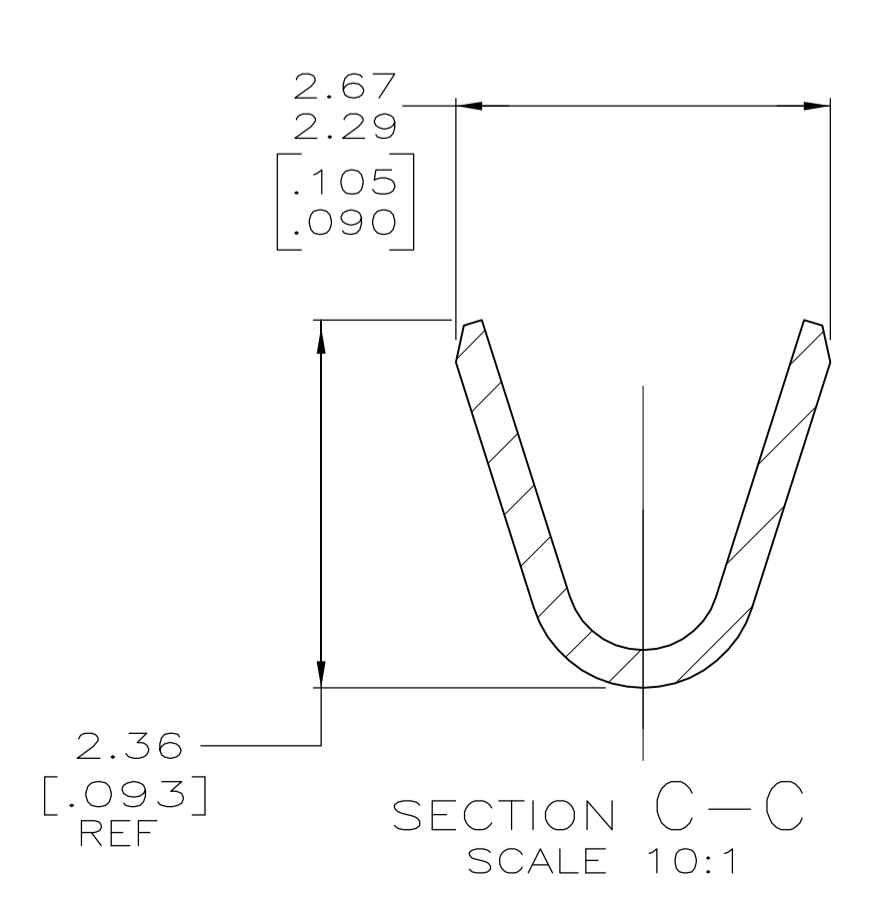
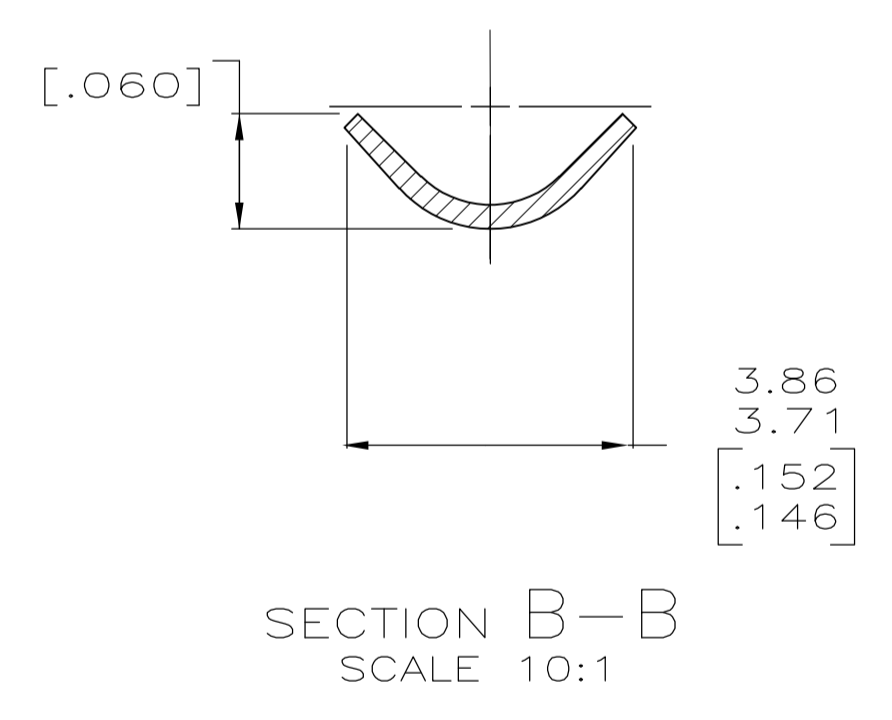
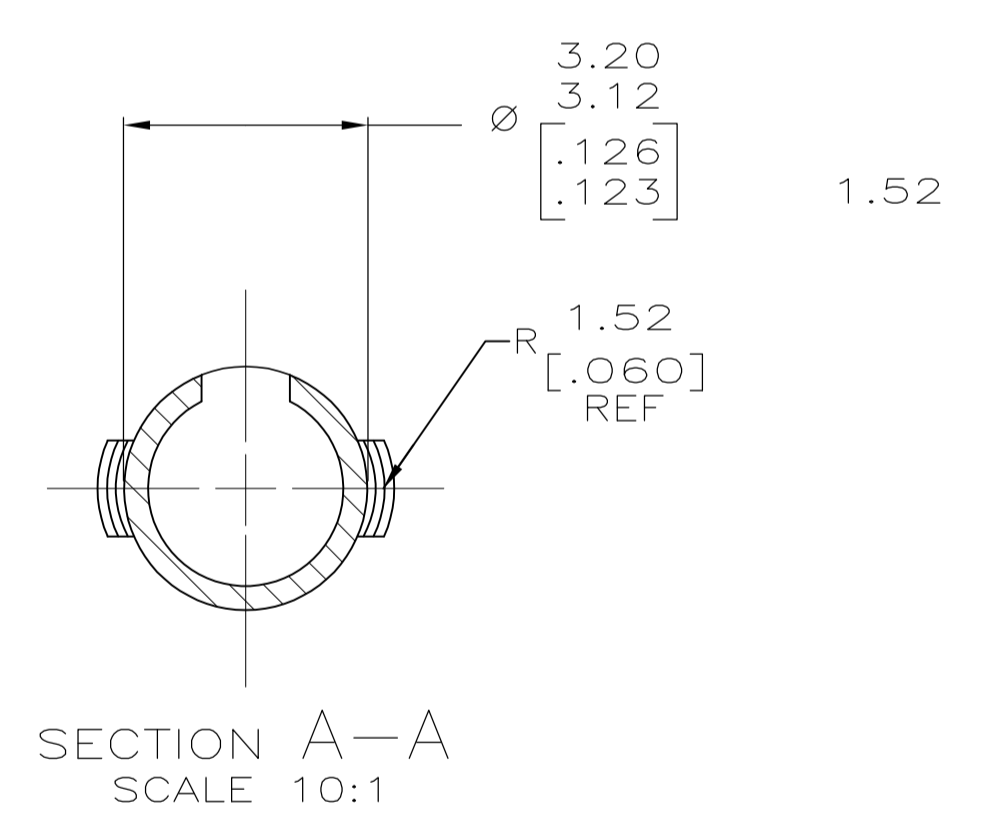
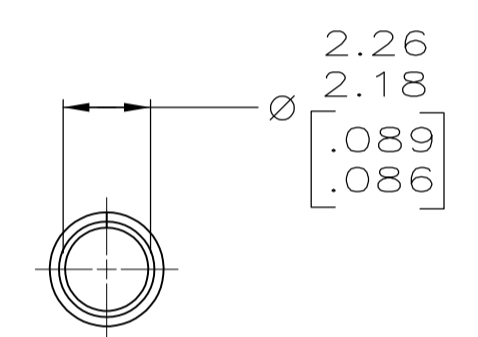
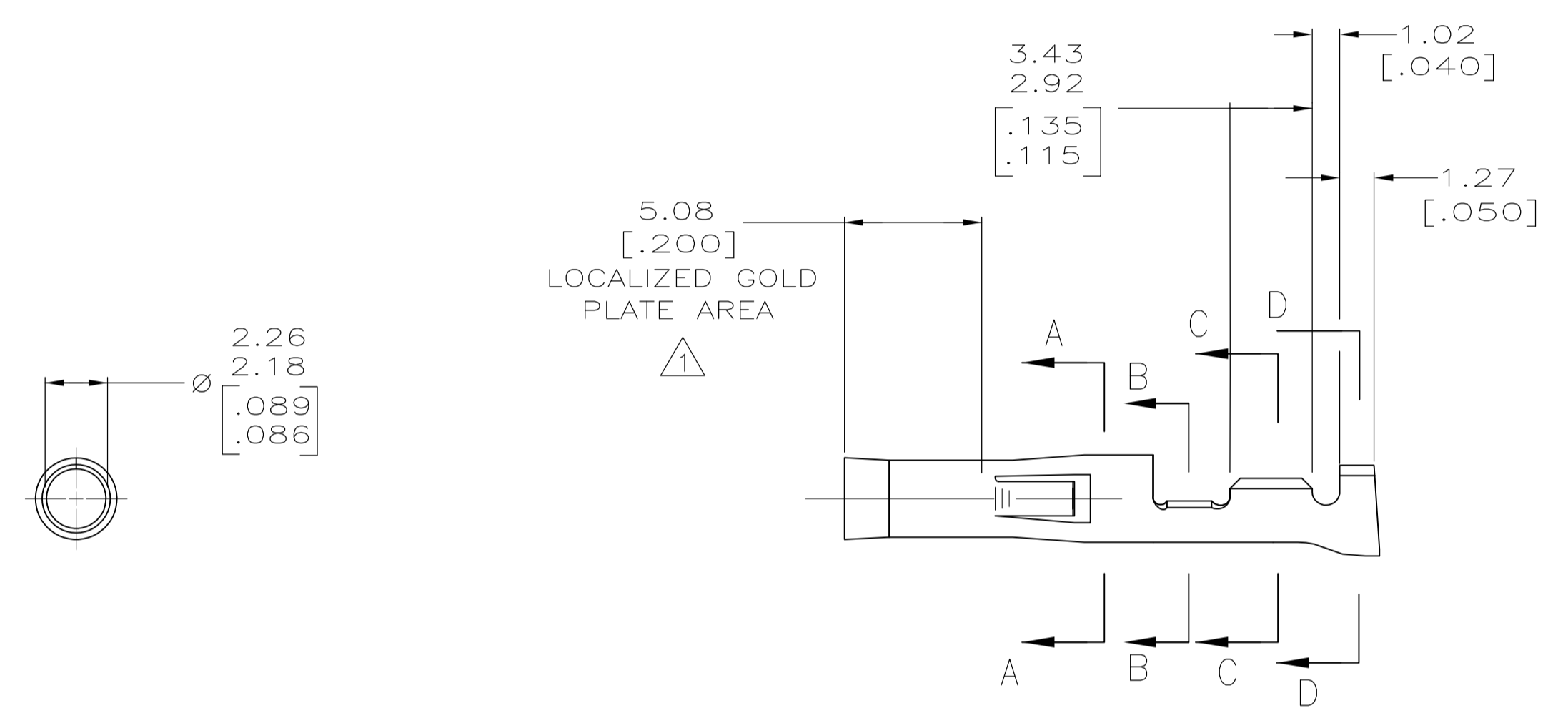
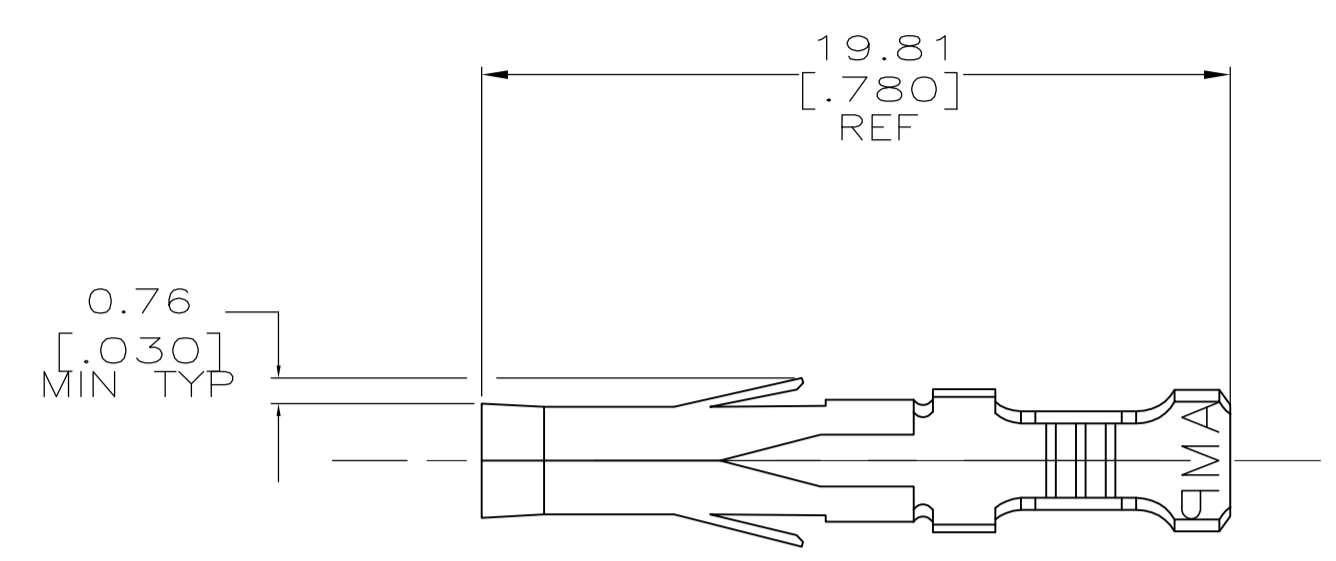


LOC		DIST		REVISIONS			
P	LTR	DESCRIPTION	DATE	DMN	APVD		
G		ECO-07-014387	19JUN07	KW	CC		

- 1 0.00127 [.000050] MIN GOLD IN LOCALIZED GOLD PLATE AREA OVER 0.00127 [.000050] MIN NICKEL.
- 2 0.00127 [.000050] NICKEL PLATE ON ENTIRE CONTACT WITH 0.000762 [.000030] GOLD PLATE ON INSIDE OF RECEPTACLE AND GOLD FLASH ON REMAINDER OF CONTACT.
- 3 WIRE RANGE: 0.3 - 0.84mm<sup>2</sup> (24-18 AWG).
- 4 INSULATION RANGE: 2.79 [.110] MAX. DIA.
- 5 DIMENSIONS IN BRACKETS ARE IN INCHES.



**METRIC**

2	0.25 [.010] BRASS	770146-5
1	0.25 [.010] BRASS	770146-3
PRE-TIN	0.25 [.010] BRASS	770146-1
FINISH	MATERIAL	PART NO

THIS DRAWING IS A CONTROLLED DOCUMENT.		DIN K. WHITAKER 19JUN2007		Tyco Electronics Corporation Harrisburg, PA 17105-3608	
DIMENSIONS: mm [INCHES]		TOLERANCES UNLESS OTHERWISE SPECIFIED:		APVD C. CASH 19JUN2007	
0. PLC ± -		1. PLC ± -		NAME SOCKET, .093, LOOSE PIECE, COMMERCIAL PIN AND SOCKET	
2. PLC ± 0.13 [.005]		3. PLC ± -		APPLICATION SPEC	
4. PLC ± -		ANGLES ± -		SIZE CAGE CODE DRAWING NO	
MATERIAL SEE TABLE		FINISH SEE TABLE		WEIGHT	
				A1 00779 C=770146	
		CUSTOMER DRAWING		SCALE 5:1 SHEET 1 OF 1 REV G	